

INSAITO4NCF

4.1MP WDR Turret ChromaView AI+ Network Camera

- 1/1.8" 4 Megapixel progressive scan CMOS
- 25/30 fps at 2688 × 1520; 50/60 fps at 1080P
- H.265 codec, high compression rate, ultra-low bit rate
- WDR (140 dB), Day/Night (Electronic), 3D DNR, AWB, AGC
- AI+ on the Edge: Human Detection, Area Protector and more



AI+
ChromaView

Unify your Security Solution

This new function was made to improve drastically your surveillance system efficiency and reduce your false alarms count. Area Protector allows you to custom your tripwires based on a specific object such as pedestrians or vehicles. Combined with real-time alerts on your monitoring device, this function will be key for any zone surveillance.

ChromaView Technology

This technology helps you capture clear color images in practically any low light environment. Using a F1.0 aperture lens paired with our 1/1.8" high-performance sensor, ChromaView technology provides a great balance between noise reduction and blurry moving objects.

On-board Analytics

This camera responds accurately to specific events in a given area. Our algorithm enables Tripwire violations, intrusion detection, abandoned/missing objects and much more. Facilitate your viewing experience using on the edge analytics – one product, multiple features.



*Design and specifications are subjects to change without notice.



INSAITO4NCF

4.1MP WDR Turret ChromaView AI+ Network Camera

Product Specifications

Camera					
Image Sensor	1/1.8" 4 Megapixel progressive scan CMOS				
Effective Pixels	2688 (H) × 1520 (V)				
RAM/ROM	512MB/128MB				
Scanning System	Progressive				
Electronic Shutter Speed	Auto/Manual 1/3 s–1/100,000 s				
Minimum Illumination	0.0005 Lux at F1.0				
Illumination Distance	30 m (98.4 ft)				
Illumination LEDs	2 warm lights				
Camera Features					
Day/Night	Auto(ICR) / Color / B/W				
Backlight Compensation	BLC / HLC / TRUE WDR 140dB				
White Balance	Auto / natural / street lamp / outdoor / manual				
Gain Control	Auto/Manual				
Noise Reduction	3D DNR				
Motion Detection	OFF/ON (4 areas, rectangular)				
Region of Interest	Yes (4 areas)				
Smart Illumination	Yes				
Privacy Masking	8 Areas				
Lens					
Lens Type	Fixed Lens				
Mount Type	M16				
Focal Length	2.8mm				
Max. Aperture	F1.0				
Viewing Angle	Horizontal: 107.0° Vertical: 60.0° Diagonal: 135.0°				
Pan/Tilt/Rotation	Pan: 0°–360°; Tilt: 0°–78°; D: 0°–360°				
DORI Distance	Lens	Detect	Observe	Recognize	Identify
	2.8mm	58m (192ft)	23m (75ft)	12m (39ft)	6m (20ft)
Video					
Compression	H.265+; H.264+; MJPEG (only supported on the sub stream)				
Resolution	2688 × 1520; 2560 × 1440; 2304 × 1296; 1080P (1920 × 1080); 1.3M (1280 × 960); 720P (1280 × 720); D1 (704 × 576/704 × 480); VGA (640 × 480); CIF (352 × 288/352 × 240)				
Frame Rate	Main Stream: 2688 × 1520 (1 fps–25/30 fps); 2560 × 1440 (1 fps–25/30 fps) 1920 × 1080 (1 fps–50/60 fps)				
	Sub stream: D1 (1 fps–25/30 fps) D1 (1 fps–50/60 fps)			Third stream: 1080P (1 fps–25/30 fps)	
Bit Rate	H.264: 3 Kbps–20480 Kbps H.265: 3 Kbps–20480 Kbps				

*Design and specifications are subjects to change without notice.



INSAITO4NCF

4.1MP WDR Turret ChromaView AI+ Network Camera

Product Specifications

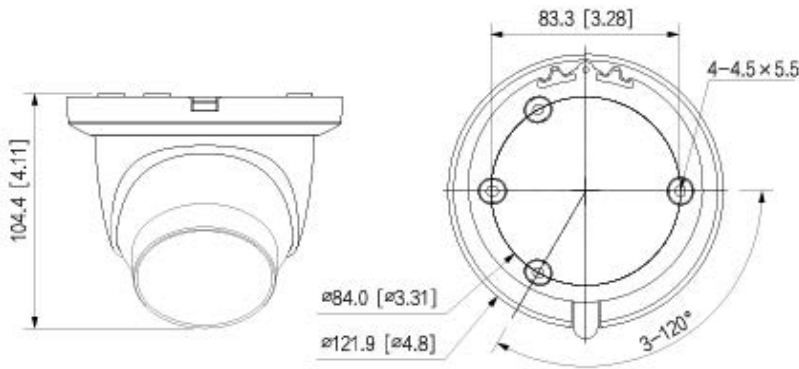
Artificial Intelligence	
Area Protector	Tripwire, intrusion (Recognition of vehicle and people), fast moving, loitering detection, parking detection and people gathering
People Counting	Supports Line crossing/Region/Queueing people counting; Supports 4 independent entries detection; Supports 4 independent areas detection
Face Detection	Supports face capture images
Intelligent Functions	
Event Trigger	Motion detection, Video tampering , Scene changing, Network disconnection , IP address conflict, Illegal Access, Storage anomaly
Smart Functions	Object Abandoned/Missing
Heat Map/Intelligent Search	Supported
Audio	
Compression	PCM; G.711a; G.711Mu; G.726; G.723
Built-in Microphone	Yes
Network	
Ethernet	RJ-45 (10/100 Base-T)
Storage	FTP; SFTP; NAS; Micro SD Card up to 256 GB
Management Software	STORM, STORM+, ARKIV
Protocol	IPv4; IPv6; HTTP; TCP; UDP; ARP; RTP; RTSP; RTCP; RTMP; SMTP; FTP; SFTP; DHCP; DNS; DDNS; QoS; UPnP; NTP; Multicast; ICMP; IGMP; NFS; PPPoE; SNMP
Compatibility	ONVIF (Profile S/Profile G/Profile T), CGI, Milestone, Genetec, P2P
Maximum User Access	20
Smart Phone	iOS, Android
General	
Power Supply	12V DC ($\pm 30\%$)/PoE (802.3af)/ePoE
Power Consumption	Less than 7.2W
Working Environment	-40° C to +60° C (-40° F to +140° F); Less than 95% RH
Protection	IP67
Dimensions	$\Phi 121.9$ mm \times $\Phi 104.4$ mm ($\Phi 4.80$ " \times 4.11")
Weight	1.5 lbs (0.68 kg)
Certifications	CE-LVD: EN62368-1; CE-EMC: Electromagnetic Compatibility Directive; 2014/30/EU; FCC: 47 CFR FCC Part 15, Subpart B; UL/CUL: UL60950-1 CAN/CSA C22.2 No.60950-1-07

*Design and specifications are subjects to change without notice.



INSAITO4NCF

4.1MP WDR Turret ChromaView
AI+ Network Camera



Junction Mount	Corner Mount
INSX130	INSX205W + INSX151
Wall Mount	Ceiling Mount
INSX205W	INSX220C + INSX109
Ceiling Mount	Pole Mount
	INSX205W + INSX152

Product Specifications



INSX130
Junction Box



INSX205W
Wall Mount



INSX151
Corner Mount



INSX152
Pole Mount



VUSD256G
Micro SD Card



INSX220C
Ceiling Mount



INSX109
Mount Adapter

*Design and specifications are subjects to change without notice.

